

# SEPA KOREA

## Fluid Total System

**SPW**  
Rotary Lobe Pumps



# SEPA KOREA

SPW, rotary-lobe pumps, handles products gently and efficiently and is completely CIP possible.

SPW use a proven design to provide gentle product handling, easy maintenance, complete clean ability and high efficiency.

| STANDARD DESIGN                     | OPTIONAL DESIGN                         |
|-------------------------------------|---|
| Cast Iron Bearing - Housing         | Stainless Steel 304                     |
| Single mechanical seal(TC vs TC)    | Double mechanical seal                  |
|                                     | Triple-Lip-seal                         |
| Wetted parts : 316L stainless steel | Duplex                                  |
| Tri-clamp connection                | IDF male, SMS, DIN and Flange           |
| Bi - lobe rotors                    | Single, Tri-lobe, and multi-lobe rotors |
| -                                   | Heating and cooling jackets             |
| -                                   | Pressure Relief Cover                   |
| 0.8 $\mu$ m Ra                      | 0.4 $\mu$ m Ra                          |



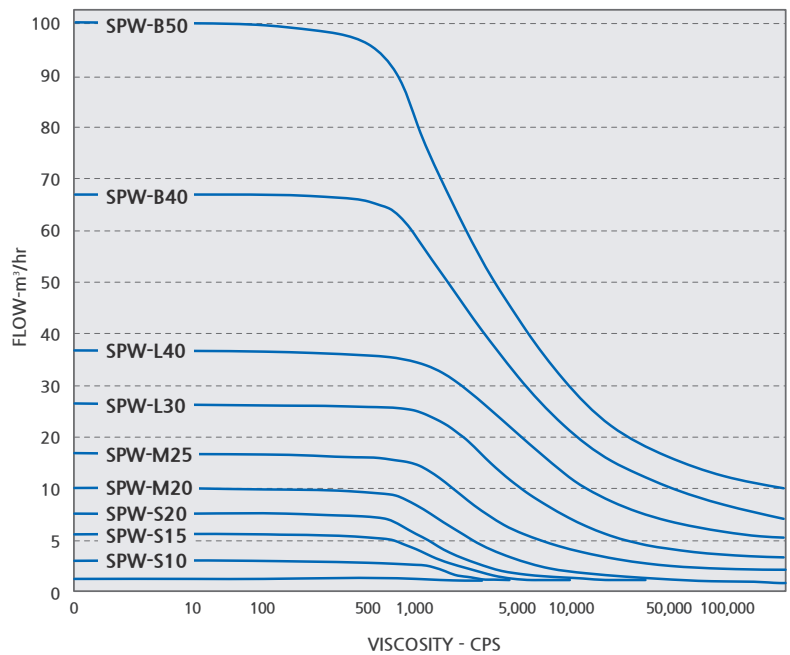
## Available Options

### Jacket

The jacket is applied to the front cover and casing during the transfer of products that require temperature control such as sugar, chocolate, concierge and beer enzymes, to help control the temperature of the product.

### Pressure Relief Cover

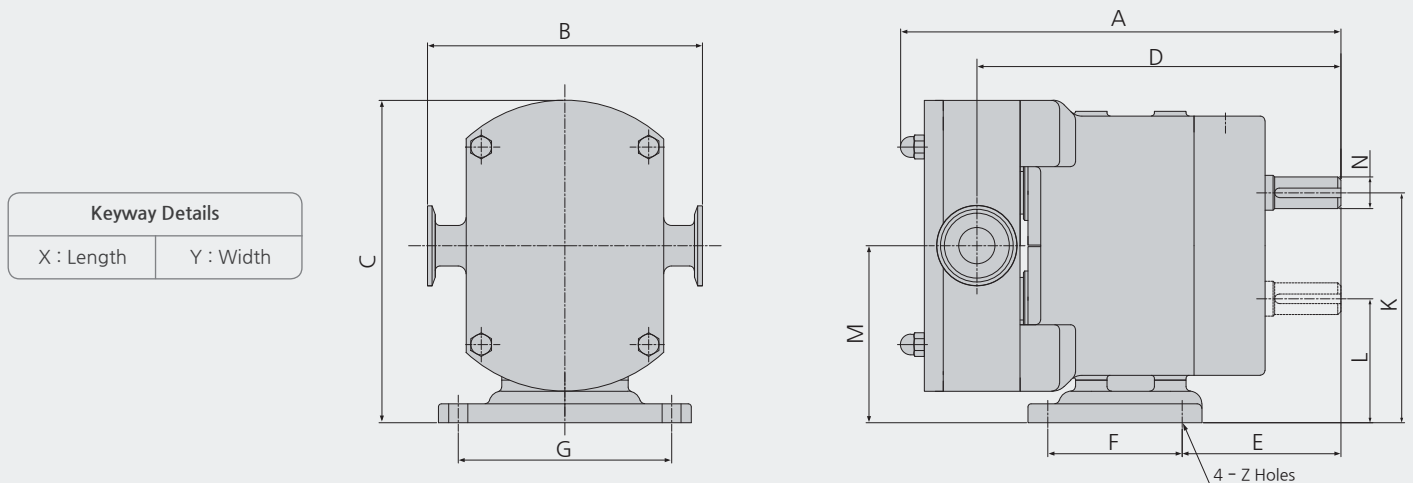
When casing inlet-pressure is above the setting pressure, the valve automatically opens to protect the system from abnormal high pressure.



| Model   | Displacement | Connection |        | Max.                  |     | Max.    |
|---------|--------------|------------|--------|-----------------------|-----|---------|
|         |              |            |        | Differential Pressure |     | Speed   |
|         | Liters/rev   | mm         | Inches | BAR                   | PSI | Rev/min |
| SPW-S10 | 0.05         | 25         | 1.0    | 20                    | 300 | 1000    |
| SPW-S15 | 0.12         | 40         | 1.5    | 12                    | 175 | 800     |
| SPW-S20 | 0.21         | 50         | 2.0    | 8                     | 115 | 800     |
| SPW-M20 | 0.41         | 50         | 2.0    | 12                    | 175 | 700     |
| SPW-M25 | 0.62         | 65         | 2.5    | 8                     | 115 | 700     |
| SPW-L30 | 1.02         | 80         | 3.0    | 12                    | 175 | 600     |
| SPW-L40 | 1.44         | 100        | 4.0    | 8                     | 115 | 600     |
| SPW-B40 | 2.27         | 100        | 4.0    | 12                    | 175 | 500     |
| SPW-B50 | 3.34         | 125        | 5.0    | 8                     | 115 | 500     |

Dimension(mm)

| Model   | A   | C   | D     | E    | F   | G   | K     | L     | M   | N  | X  | Y  | Z  |
|---------|-----|-----|-------|------|-----|-----|-------|-------|-----|----|----|----|----|
| SPW-S10 | 271 | 201 | 217   | 95.2 | 84  | 135 | 141   | 77    | 109 | 22 | 30 | 8  | 6  |
| SPW-S15 | 271 | 201 | 217   | 95.2 | 84  | 135 | 141   | 77    | 109 | 22 | 30 | 8  | 6  |
| SPW-S20 | 291 | 201 | 217   | 95.2 | 84  | 135 | 141   | 77    | 109 | 22 | 30 | 8  | 6  |
| SPW-M20 | 377 | 263 | 307   | 127  | 132 | 180 | 185   | 101   | 143 | 32 | 50 | 10 | 11 |
| SPW-M25 | 402 | 263 | 319   | 127  | 132 | 180 | 185   | 101   | 143 | 32 | 50 | 10 | 11 |
| SPW-L30 | 480 | 346 | 388   | 153  | 160 | 242 | 243.5 | 128.5 | 186 | 45 | 60 | 14 | 13 |
| SPW-L40 | 505 | 346 | 400.5 | 153  | 160 | 242 | 243.5 | 128.5 | 186 | 45 | 60 | 14 | 13 |
| SPW-B40 | 618 | 452 | 504   | 198  | 210 | 320 | 324   | 170   | 247 | 55 | 90 | 16 | 15 |
| SPW-B50 | 643 | 452 | 522   | 198  | 210 | 320 | 324   | 170   | 247 | 55 | 90 | 16 | 15 |



\* B Dimension(mm)

| Model   | FLANGE | ISO | BS  | DIN | SMS |
|---------|--------|-----|-----|-----|-----|
| SPW-S10 | 212    | 192 | 204 | 212 | 192 |
| SPW-S15 | 212    | 192 | 204 | 212 | 192 |
| SPW-S20 | 212    | 196 | 204 | 212 | 192 |
| SPW-M20 | 248    | 239 | 240 | 258 | 236 |
| SPW-M25 | 258    | 239 | 240 | 258 | 236 |
| SPW-L30 | 322    | 298 | 294 | 322 | 290 |
| SPW-L40 | 350    | 298 | 294 | 322 | 290 |
| SPW-B40 | 432    | 380 | 376 | 432 | 394 |
| SPW-B50 | 432    | 384 | 376 | 432 | 394 |



Head Office & Factory

116-24, Juseok-ro, Hwaseong-si, Gyeonggi-do, Korea

Pump Division

T. +82 (0)70 8796 6302    F. +82 (0)31 356 7685

Domestic : [sepakorea@hanmail.net](mailto:sepakorea@hanmail.net)

Overseas : [sepa@sepakorea.com](mailto:sepa@sepakorea.com)